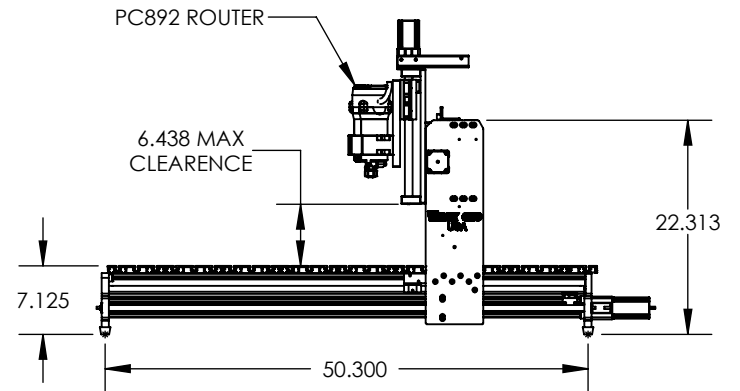
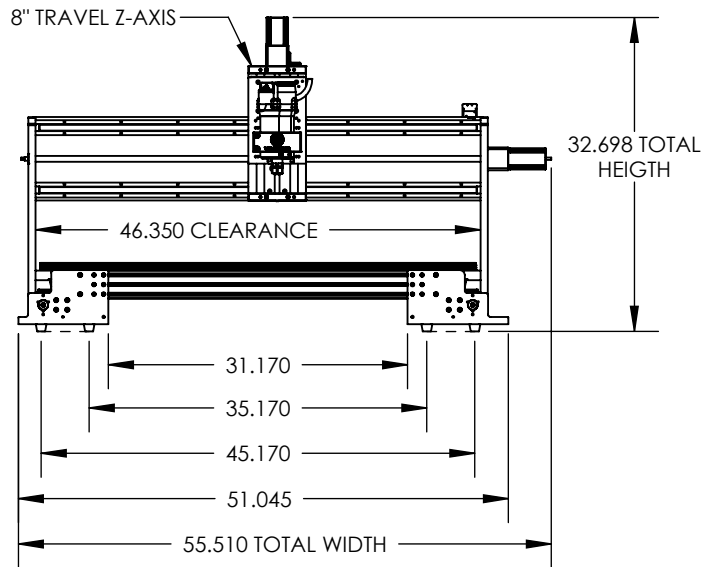
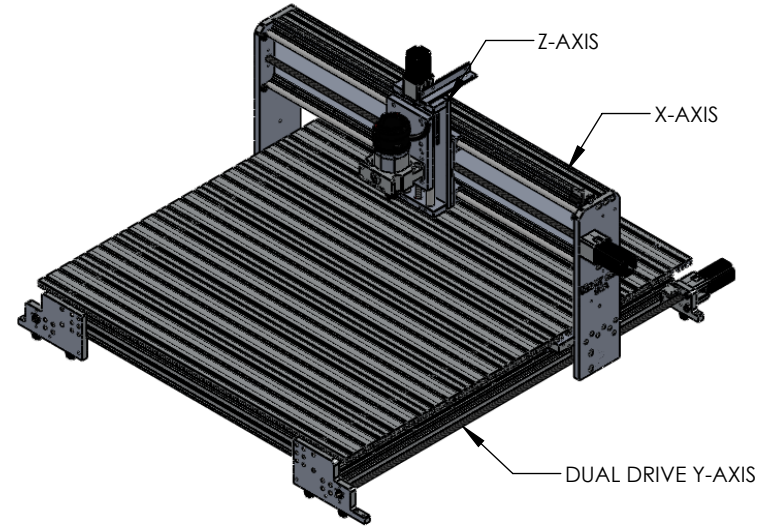


REVISIONS				
ZONE	REV.	DESCRIPTION	DATE	APPROVED
P	2.1	DUAL 1030 USED FOR X-AXIS	4/2/2013	RL



UNLESS OTHERWISE SPECIFIED:	NAME	DATE
DIMENSIONS ARE IN INCHES	DRAWN	CP
FILLETS AND ROUNDS R	CHECKED	RL
HOLES THROUGH ALL	ENG APPR.	
	MFG APPR.	
INTERPRET GEOMETRIC TOLERANCING PER:	Q.A.	
MATERIAL VARIES	COMMENTS:	
FINISH	MACHINE TRAVEL:	
	X-AXIS = 36.000"	
	Y-AXIS = 36.000"	
	Z-AXIS = 8.000"	
DO NOT SCALE DRAWING		

VELOX CNC		
TITLE: VR-3636		
2013 CURRENT MODEL		
SIZE DWG. NO.	REV	
A VR-KIT 5050 Master_REV2.1	2.1	
SCALE: 1:20	WEIGHT:	SHEET 6 OF 9