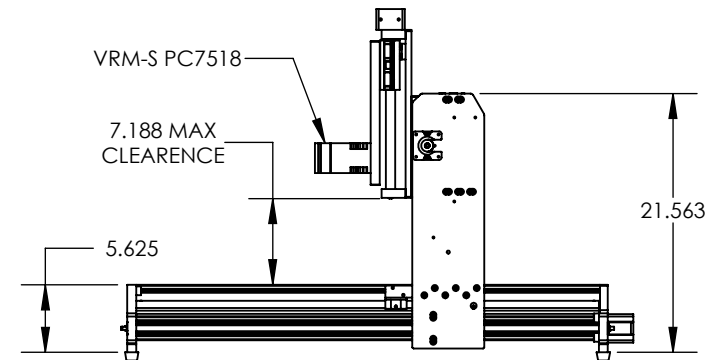
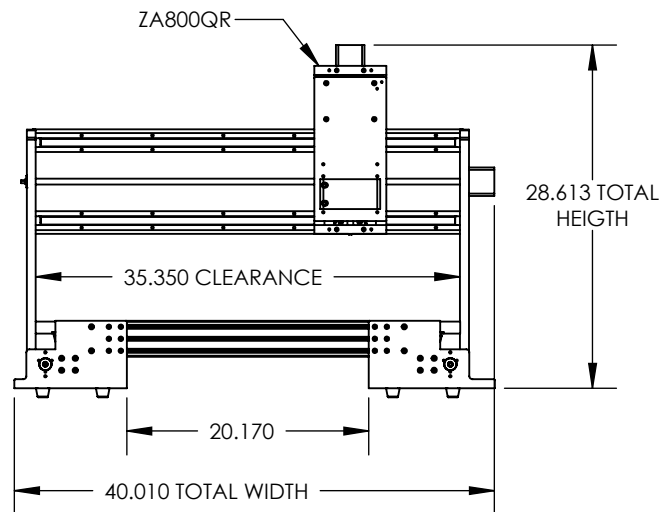
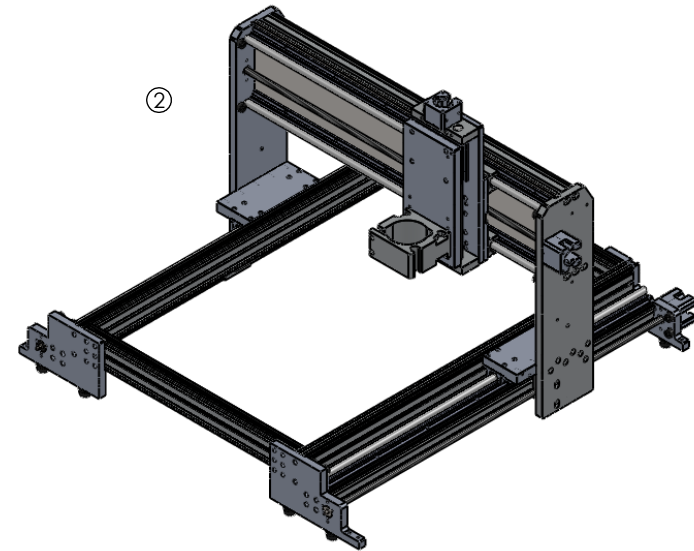


REVISIONS				
ZONE	REV.	DESCRIPTION	DATE	APPROVED
P	1	INITIAL RELEASE	9/2012	RL
P	2	IMPROVED RIGIDITY AND SUPPORT	2/18/2013	RL



UNLESS OTHERWISE SPECIFIED:  
 DIMENSIONS ARE IN INCHES  
 FILLETS AND ROUNDS R  
 HOLES THROUGH ALL  
 INTERPRET GEOMETRIC  
 TOLERANCING PER:  
 MATERIAL  
 VARIES  
 FINISH  
 DO NOT SCALE DRAWING

	NAME	DATE
DRAWN	CP	
CHECKED	RL	
ENG APPR.		
MFG APPR.		
Q.A.		
COMMENTS: X-AXIS TRAVEL: 25" Y-AXIS TRAVEL: 25" Z-AXIS TRAVEL: 8"		

<b>VELOX CNC</b>		
TITLE:		
<b>KIT-2525</b>		
SIZE	DWG. NO.	REV
<b>A</b>	VR-KIT 5050 Master	<b>2</b>
SCALE: 1:16		WEIGHT:
		SHEET 7 OF 15