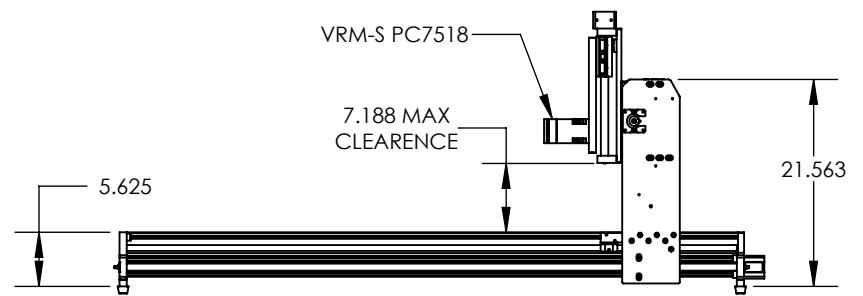
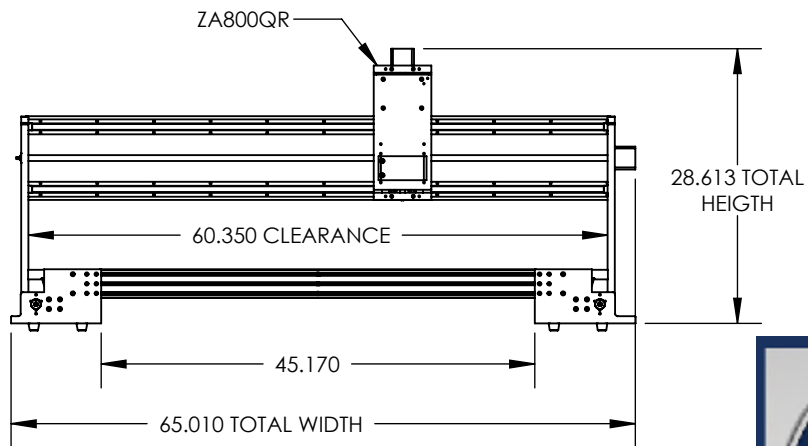
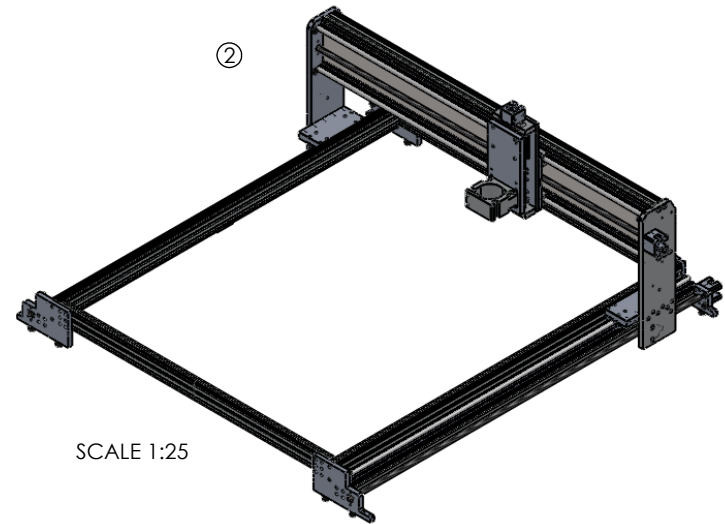


REVISIONS				
ZONE	REV.	DESCRIPTION	DATE	APPROVED
P	1	INITIAL RELEASE	9/2012	RL
P	2	IMPROVED RIGIDITY AND SUPPORT	2/18/2013	RL



UNLESS OTHERWISE SPECIFIED:
 DIMENSIONS ARE IN INCHES
 FILLETS AND ROUNDS R
 HOLES THROUGH ALL
 INTERPRET GEOMETRIC
 TOLERANCING PER:
 MATERIAL VARIES
 FINISH
 DO NOT SCALE DRAWING

	NAME	DATE
DRAWN	CP	
CHECKED	RL	
ENG APPR.		
MFG APPR.		
Q.A.		
COMMENTS:	X-AXIS TRAVEL: 50" Y-AXIS TRAVEL: 50" Z-AXIS TRAVEL: 8"	

VELOX CNC		
TITLE:		
KIT-5050		
SIZE	DWG. NO.	REV
A	VR-KIT 5050 Master	2
SCALE: 1:20	WEIGHT:	SHEET 2 OF 15