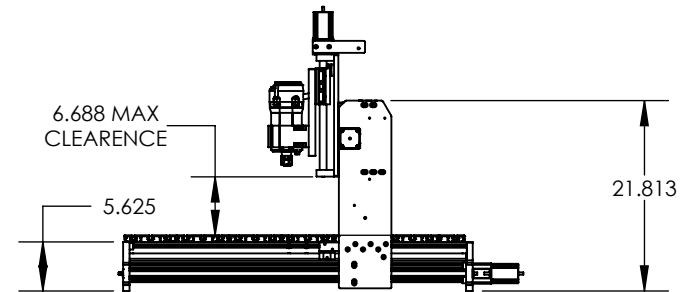
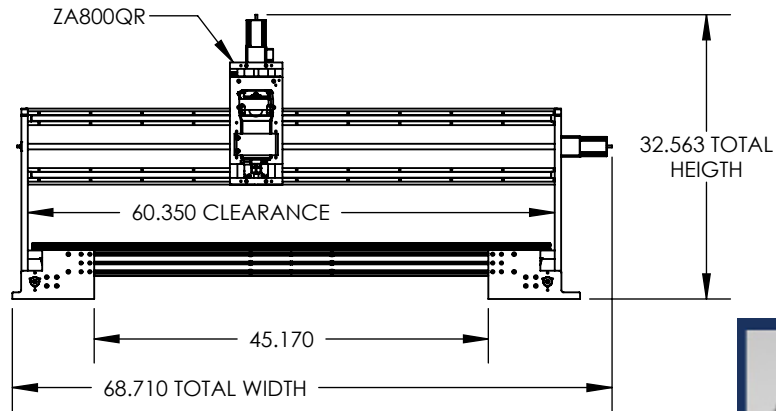
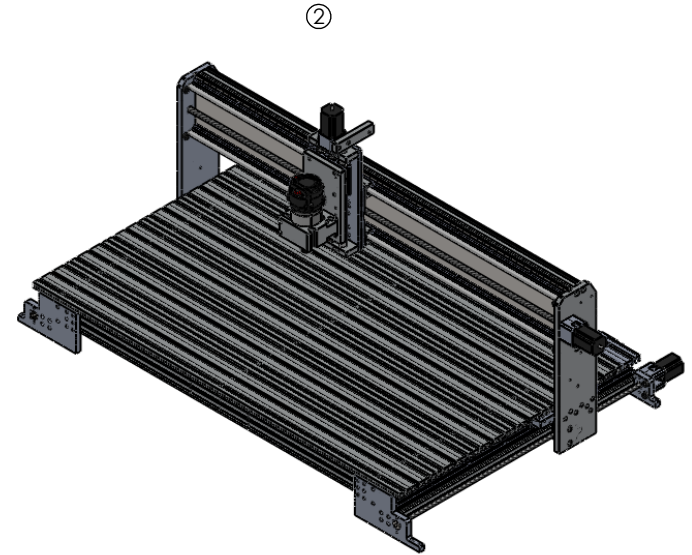


REVISIONS				
ZONE	REV.	DESCRIPTION	DATE	APPROVED
P	1	INITIAL RELEASE	9/2012	RL
P	2	IMPROVED RIGIDITY AND SUPPORT	2/18/2013	RL



UNLESS OTHERWISE SPECIFIED:
 DIMENSIONS ARE IN INCHES
 FILLETS AND ROUNDS R
 HOLES THROUGH ALL
 INTERPRET GEOMETRIC
 TOLERANCING PER:
 MATERIAL
 VARIES
 FINISH
 DO NOT SCALE DRAWING

	NAME	DATE
DRAWN	CP	
CHECKED	RL	
ENG APPR.		
MFG APPR.		
Q.A.		
COMMENTS:		
X-AXIS TRAVEL: 50"		
Y-AXIS TRAVEL: 25"		
Z-AXIS TRAVEL: 8"		

VELOX CNC		
TITLE: VR-5025		
SIZE A	DWG. NO. VR-KIT 5050 Master	REV 2
SCALE: 1:22	WEIGHT:	SHEET 2 OF 18