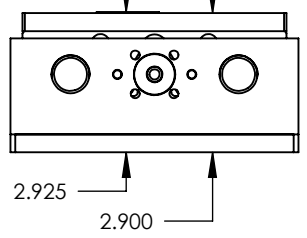
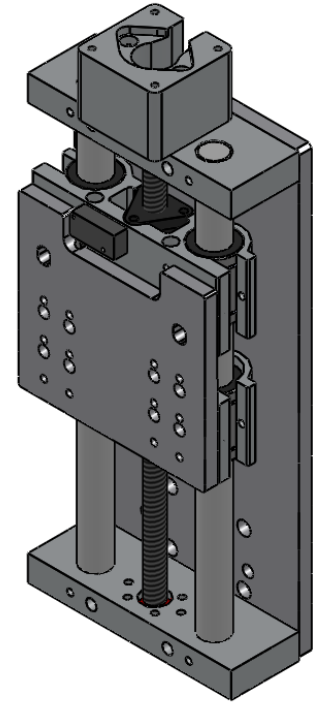
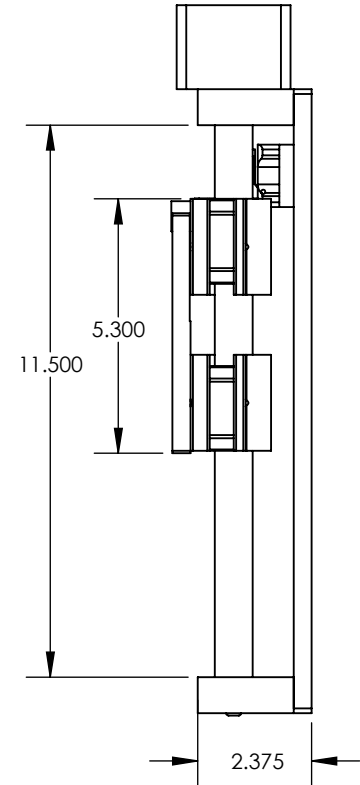
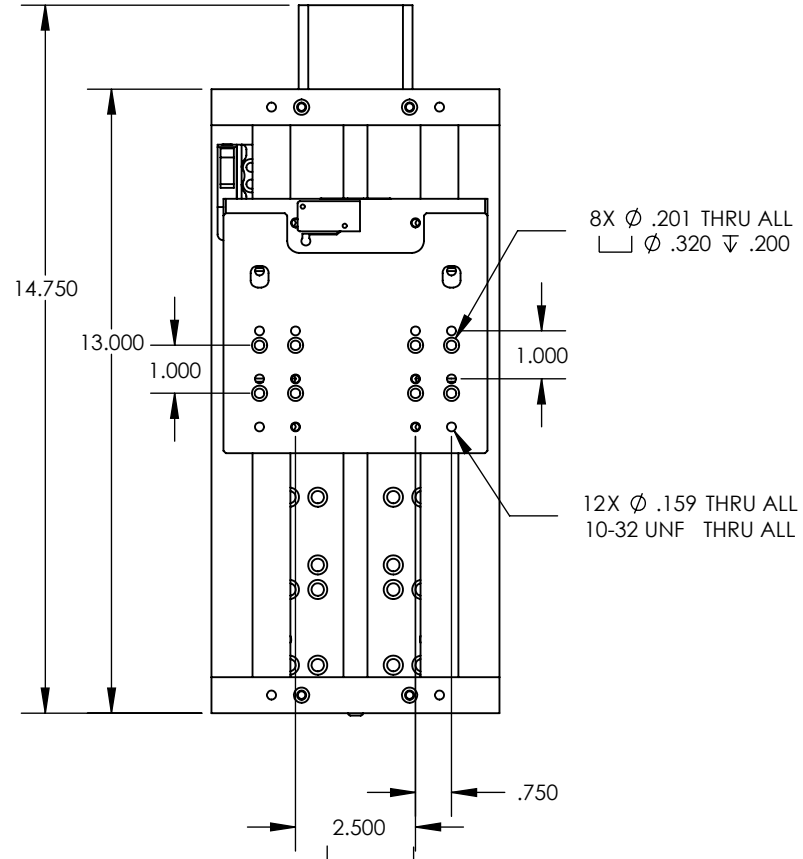


| REVISIONS | | | | |
|-----------|------|-------------|--------|----------|
| ZONE | REV. | DESCRIPTION | DATE | APPROVED |
| | 1 | 6.5" TRAVEL | 8/8/12 | RL |



UNLESS OTHERWISE SPECIFIED:
 DIMENSIONS ARE IN INCHES
 FILLETS AND ROUNDS R
 HOLES THROUGH ALL
 INTERPRET GEOMETRIC TOLERANCING PER:
 MATERIAL
 FINISH
 DO NOT SCALE DRAWING

| | NAME | DATE |
|-----------|------|------|
| DRAWN | | |
| CHECKED | | |
| ENG APPR. | | |
| MFG APPR. | | |
| Q.A. | | |
| COMMENTS: | | |

VELOX CNC

TITLE:
ZA-650P

| | | |
|------------------|---------------------------|-----------------|
| SIZE A | DWG. NO. Z-Axis Master | REV 1 |
| SCALE: 1:4 | WEIGHT: | SHEET 13 OF 19 |