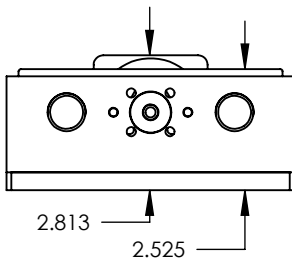
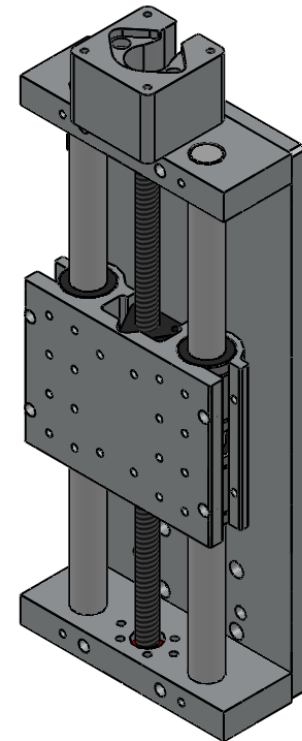
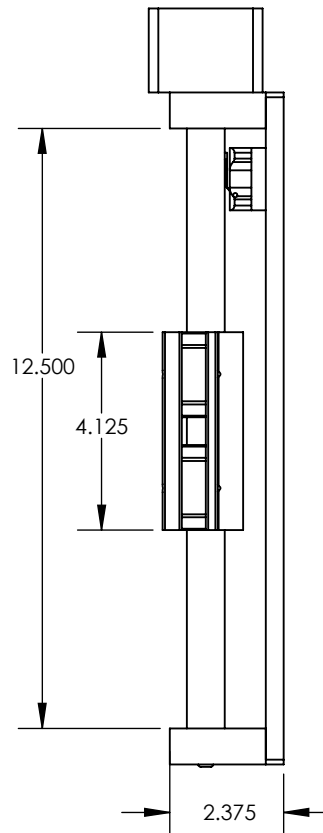


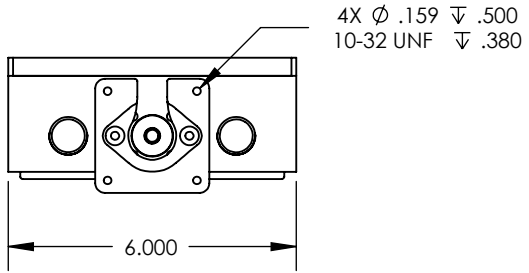
REVISIONS				
ZONE	REV.	DESCRIPTION	DATE	APPROVED
	1	8" TRAVEL	8/8/12	RL



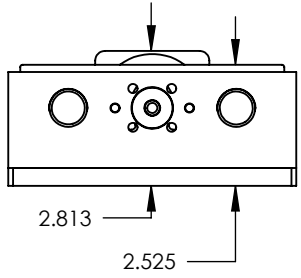
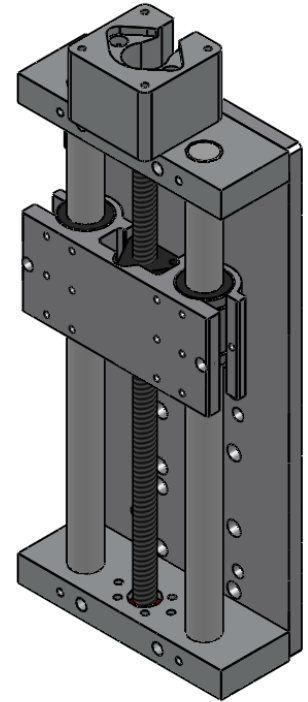
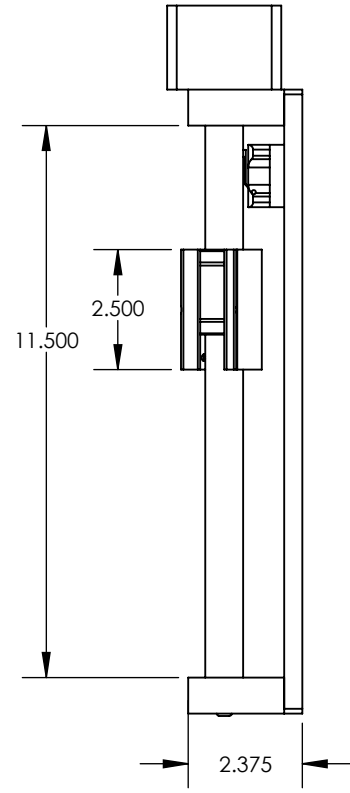
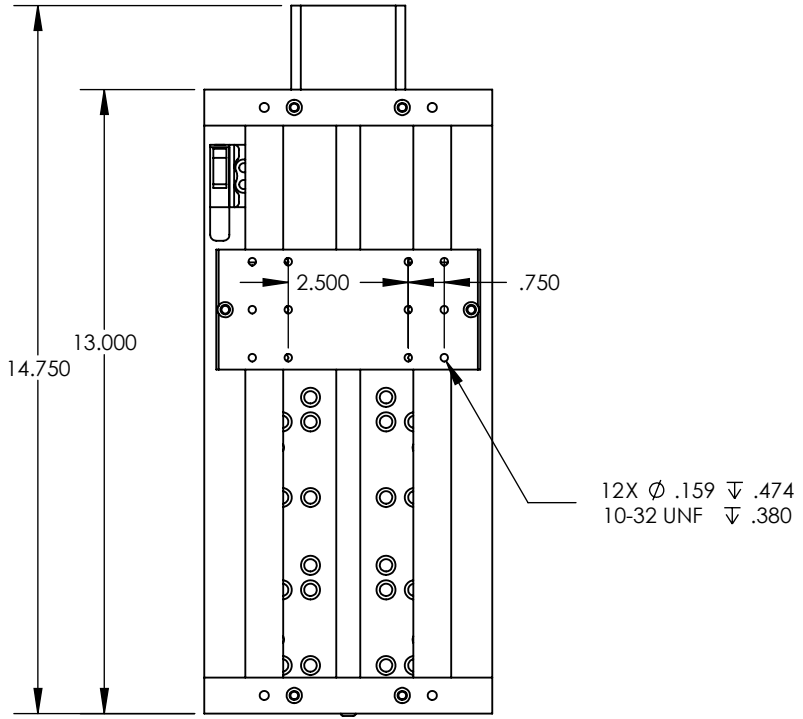
UNLESS OTHERWISE SPECIFIED:
 DIMENSIONS ARE IN INCHES
 FILLETS AND ROUNDS R
 HOLES THROUGH ALL
 INTERPRET GEOMETRIC
 TOLERANCING PER:
 MATERIAL
 FINISH
 DO NOT SCALE DRAWING

	NAME	DATE
DRAWN		
CHECKED		
ENG APPR.		
MFG APPR.		
Q.A.		
COMMENTS:		

VELOX CNC		
TITLE:		
ZA-800QR		
SIZE	DWG. NO.	REV
A	Z-Axis Master	1
SCALE: 1:4	WEIGHT:	SHEET 17 OF 22



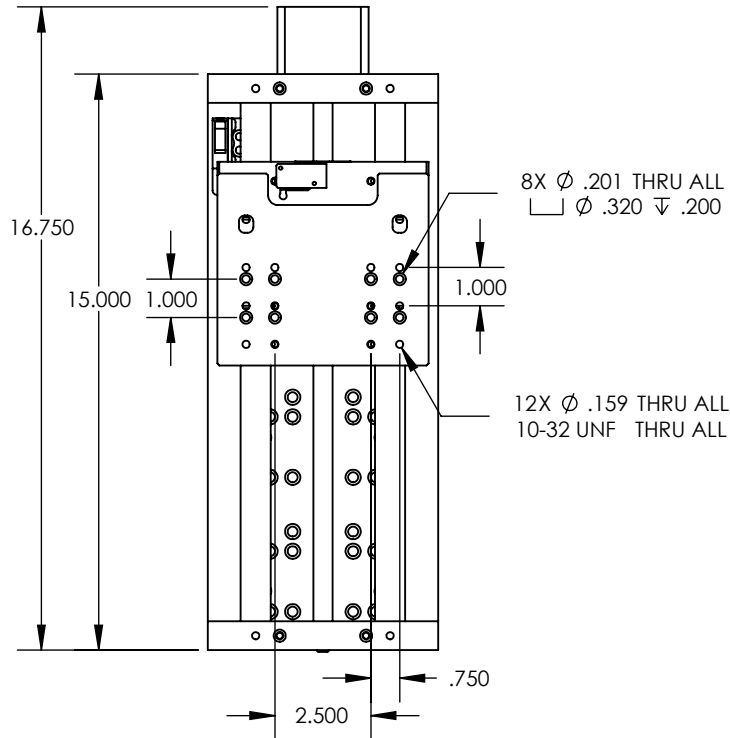
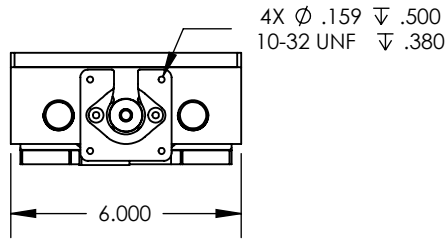
REVISIONS				
ZONE	REV.	DESCRIPTION	DATE	APPROVED
	1	8" TRAVEL	8/8/12	RL



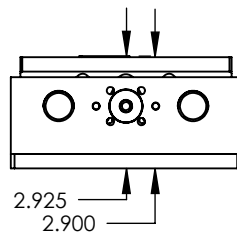
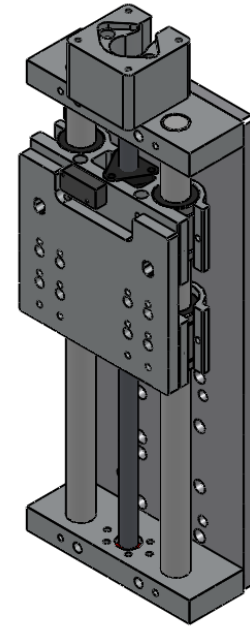
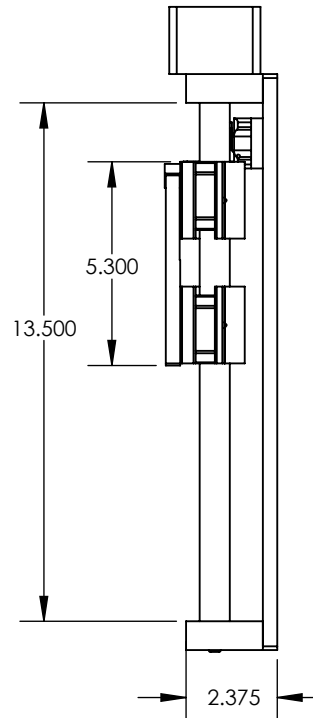
UNLESS OTHERWISE SPECIFIED:
 DIMENSIONS ARE IN INCHES
 FILLETS AND ROUNDS R
 HOLES THROUGH ALL
 INTERPRET GEOMETRIC TOLERANCING PER:
 MATERIAL
 FINISH
 DO NOT SCALE DRAWING

	NAME	DATE
DRAWN		
CHECKED		
ENG APPR.		
MFG APPR.		
Q.A.		
COMMENTS:		

VELOX CNC		
TITLE:		
ZA-800DR		
SIZE	DWG. NO.	REV
A	Z-Axis Master	1
SCALE: 1:4	WEIGHT:	SHEET 18 OF 22



REVISIONS				
ZONE	REV.	DESCRIPTION	DATE	APPROVED
	1	8.5" TRAVEL	8/8/12	RL



UNLESS OTHERWISE SPECIFIED:
 DIMENSIONS ARE IN INCHES
 FILLETS AND ROUNDS R
 HOLES THROUGH ALL
 INTERPRET GEOMETRIC TOLERANCING PER:
 MATERIAL
 FINISH
 DO NOT SCALE DRAWING

	NAME	DATE
DRAWN		
CHECKED		
ENG APPR.		
MFG APPR.		
Q.A.		
COMMENTS:		

VELOX CNC		
TITLE:		
ZA-850P		
SIZE	DWG. NO.	REV
A	Z-Axis Master	1
SCALE: 1:5	WEIGHT:	SHEET 19 OF 22